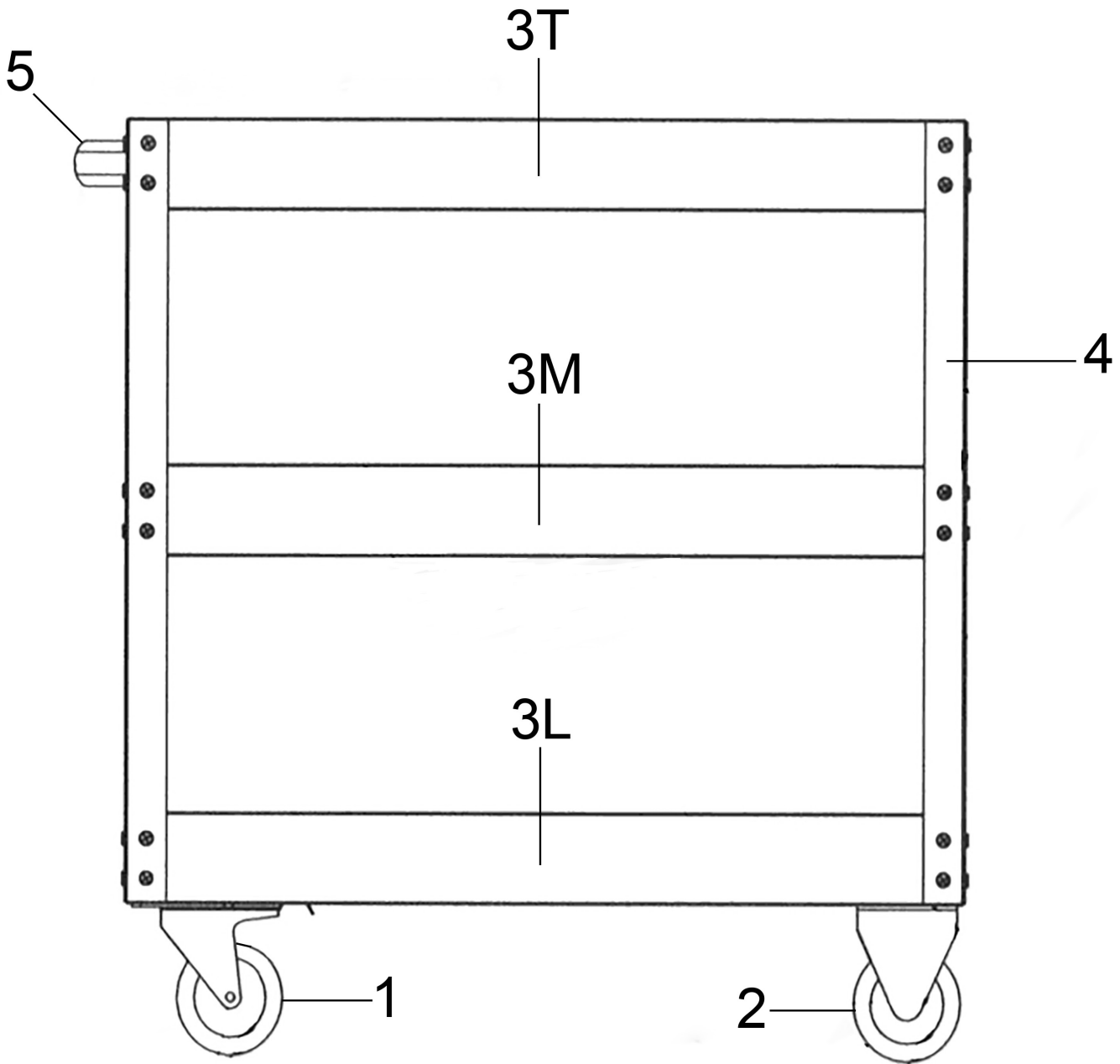




Parts Information:  
**Workshop Trolley 3-Level Heavy-Duty - Hi-Vis Green**  
**Model No: CX110HV**



Item	Part No.	Description
1	CX110HV.01	Heavy-Duty 'PU' Castor 4" (w/Brake)
2	CX110HV.02	Heavy-Duty 'PU' Castor 4"
3T	CX110HV.03T	Shelf, Top (785 x 405 x 80mm)
3M	CX110HV.03M	Shelf, Middle (785 x 405 x 80mm)
3L	CX110HV.03L	Shelf, Lower (785 x 405 x 80mm)
4	CX110HV.04	Upright

Item	Part No.	Description
5	CX110HV.05	Side Handle
--	CX110HV.FK	Fixing Kit (Screws/Nuts/Washers) (Not Shown)
--	AP-BADGE1	Badge, Superline Pro (New) 111 x 25mm (Not Shown)
--	AP-BADGE2	Badge, Sealey (New) 70 x 25mm (Not Shown)

**NOTE:** It is our policy to continually improve products and as such we reserve the right to alter data, specifications and component parts without prior notice. There may be alternative versions of this product, please contact us should you require this information.

**IMPORTANT:** No liability is accepted for incorrect use of product. Spare parts must be fitted by a competent person

**WARRANTY:** Guarantee is 12 months from purchase date, proof of which will be required for any claim.

Sealey Group, Kempson Way, Suffolk Business Park, Bury St Edmunds, Suffolk. IP32 7AR



01284 757500



sales@sealey.co.uk



www.sealey.co.uk